



Extendable rotating cleaning nozzle

PopUp Whirly Air Hygienic

Series 5P7



Features:

- Position indication by means of sensor (IO-link capable)
- Self-draining in almost orientation
- Pneumatically extendable, independent of liquid pressure
- Flushable with air
- Installation flush with wall
- No additional installations in the process area



Scan for Video

Series 5P7

Technical data:



Maximum operating temperature
203 °F



Maximum ambient temperature
149 °F



Installation
Operation in every installation position



Bearing
Slide bearing made of PEEK



Material
Stainless steel 1.4404 (316L), stainless steel 1.4301 (304), PEEK, PTFE, FPM, EPDM



Weight
9.9 lbs



Surface quality
Ra ≤ 1.6 µm on process side



Surface quality
Ra ≤ 1.6 µm



Steam suitability
Not suitable



Recommended filter
Line strainer with mesh size of 0.3 mm/50 mesh

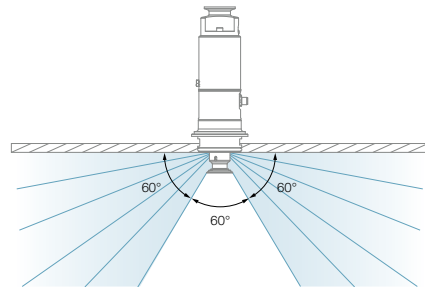


Recommended operating pressure
36 psi

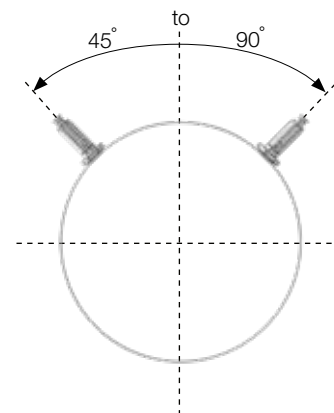
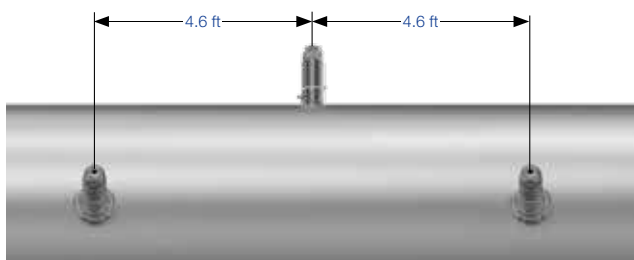
Installation example

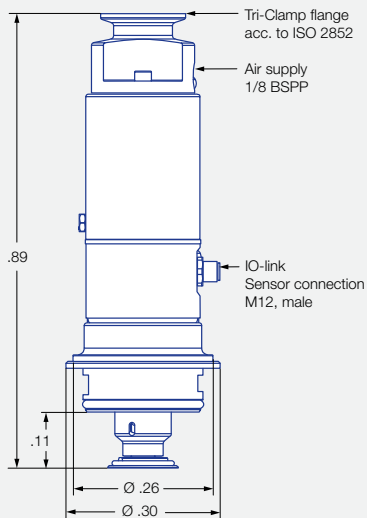


Spray distribution



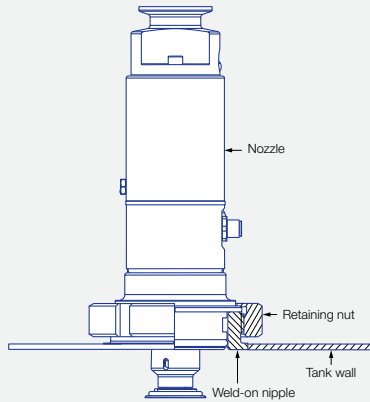
Recommendation for nozzle positioning





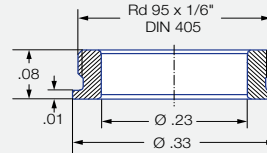
Tri-Clamp connection

Installation situation



Weld-on nipple for threaded connection

To connect the nozzle on the process side, the weld-in flange 500.605.1Y.00.08 and the retaining nut 095.011.1Y.00.89 (can be ordered from Lechler as an option) are required. The O-ring in the front area of the nozzle in conjunction with the weld-in flange ensures a reliable and hygienic seal.



Weld-on nipple

Order no.: 500.605.1Y.00.08

Material: Stainless steel 1.4404 (316L)

Weld-on nipple

Order no.: 095.011.1Y.00.89

Material: Stainless steel 1.4404 (316L)

Spray angle	Ordering number	V̇ water [gal/min]					Max. tank diameter ft.
		p [psi] (p _{max} = 87 psi)					
		20 psi	30 psi	Liters per min. 2 bar	40 psi	60 psi	
75°	5P7.074.1Y.00	10.97	13.43	50	15.51	19.00	10

Information on operation

Using more than the recommended pressure will have a negative influence on the cleaning result and wear.

Ordering example with FDA and (EC) 1935/2004 conformity.

All materials are suitable for contact with food.



Type + Material + Connection = Order no.
5P5.081 + 1Y + AP = 5P5.081.1Y.AP